

KMS-1401MLJ

SERENITY SERIES

CUBER ICE MACHINE

Item # _____

Project: _____

Qty: _____

KMS-1401MLJ

3/13

Item # 13289

CUBER DIMENSIONS

W x D x H

KMS-1401MLJ
30 x 24 x 28

CONDENSING UNIT DIMENSIONS




W x D x H

Installation Dimension*
SRK-14J / SRK-14J3
52^{3/8} x 19^{1/2} x 43
*Dimensions include legs

Actual Dimension
SRK-14J / SRK-14J3
50 x 17 x 28



KMS-1401MLJ
Remote Air-Cooled
Shown on an optional
Lancer 30" Dispenser

- Up to 1420 lbs. of ice production per 24 hours
- Less heat in the kitchen
- Minimized noise
- Durable stainless steel exterior
- Individual crescent cube ice
- Protected by H-GUARD Plus Antimicrobial Agent 
- CycleSaver® Design 
- EverCheck® alert system 
- Stainless steel evaporator
- Removable water tank - cleaning access to dispenser
- CFC / HFC Free foam
- R-404A Refrigerant
- Not recommended for side-by-side application

Warranty

Valid in United States, Canada, Puerto Rico, & U.S. Territories. Contact factory for warranty in other countries.

Three Year - Parts & Labor on entire machine.

Five Year - Parts & Labor on: Evaporator.

Five Year - Parts on: Compressor, air-cooled condenser coil.



ISO 9001-5:2008

© HOSHIZAKI AMERICA, INC.

618 Hwy. 74 S., Peachtree City, GA 30269

TEL 1-800-438-6087

FAX 1-800-345-1325

www.hoshizaki.com



HOSHIZAKI

KMS-140IMLJ CUBER ICE MACHINE SERENITY SERIES

DIMENSIONS
W x D x H
KMS-140IMLJ
30 x 24 x 28

Installation Dimension*
SRK-14J / SRK-14J3
52^{3/8} x 19^{1/2} x 43
*Dimensions include legs

Actual Dimension
SRK-14J / SRK-14J3
50 x 17 x 28

REMOTE AIR - COOLED / SRK-14J

| Water Temp ° F. | 50° | 70° | 90° |
|-----------------|------|-------------|------|
| Air Temp ° F. | | | |
| 70° | 1420 | 1379 | 1278 |
| 80° | 1389 | 1325 | 1199 |
| 90° | 1379 | 1280 | 1162 |

REMOTE AIR - COOLED / SRK-14J3

| Water Temp ° F. | 50° | 70° | 90° |
|-----------------|------|-------------|------|
| Air Temp ° F. | | | |
| 70° | 1400 | 1365 | 1266 |
| 80° | 1373 | 1319 | 1191 |
| 90° | 1365 | 1280 | 1163 |

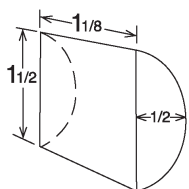
UTILITY CONSUMPTION

| Model Number | Ice Production Per Cycle | | KWH per 100 LBS. 90/70 | Potable Water Gal. per 100 lbs. | Condenser Water Gal. per 100 lbs. |
|---------------------------|--------------------------|-------|------------------------|---------------------------------|-----------------------------------|
| | Lbs. | Cubes | | | |
| KMS-140IMLJ with SRK-14J | 26.25 | 1248 | 4.70 | 19.5 | N/A |
| KMS-140IMLJ with SRK-14J3 | 26.25 | 1248 | 4.70 | 20.0 | N/A |

SPECIFICATIONS

| Model Number | Condenser | Amperage | Min. Circuit Ampacity | Shipping Weight |
|---------------------------|-------------------|----------|-----------------------|----------------------|
| KMS-140IMLJ with SRK-14J | Remote Air-Cooled | 13.5 | 20 | 177 lbs. 275 lbs. |
| KMS-140IMLJ with SRK-14J3 | Remote Air-Cooled | 11.5 | 20 | 177 lbs. 275 lbs. |

*KM CUBE DIMENSIONS



*Approximate size, image not to scale.

ELECTRICAL & PLUMBING / KMS-140IMLJ

- 115V/60/1 - Voltage supply for the KMS Ice Maker is supplied from the SRK Remote Condenser
- 1/2" FPT copper or equivalent independent potable water supply
- 3/4" FPT independent drain connection

CONDENSER UNIT / SRK-14J

- 208-230/60/1 (3 wire with neutral for 115V)
- 20 amp Max Fuse/HACR Breaker Size

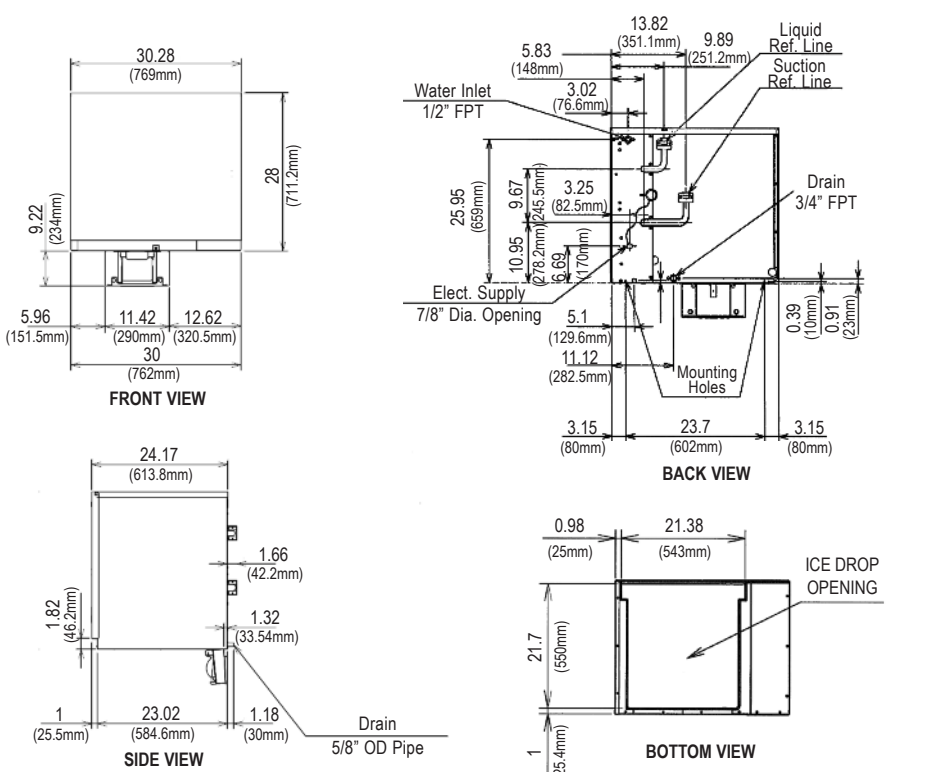
CONDENSER UNIT / SRK-14J3

- 208-230/60/3 (3 wire with neutral for 115V)
- 20 amp Max Fuse/HACR Breaker Size

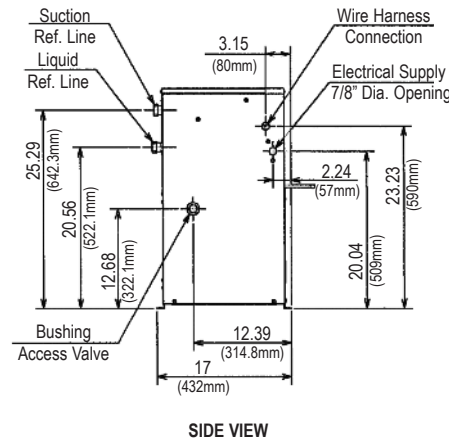
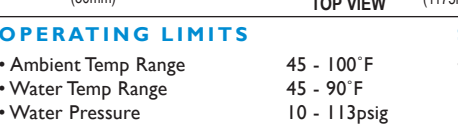
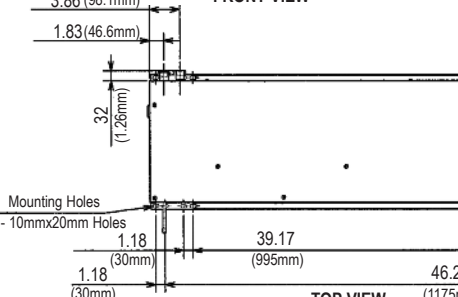
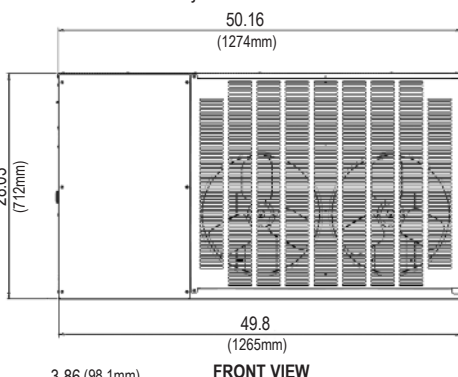


© HOSHIZAKI AMERICA, INC.

618 Hwy. 74 S., Peachtree City, GA 30269



SRK-14J / SRK-14J3 Remote Condensing Unit (Sold Separately)
For Use with KMS-140IMLJ



OPERATING LIMITS

- Ambient Temp Range 45 - 100°F
- Water Temp Range 45 - 90°F
- Water Pressure 10 - 113psig
- Voltage Range 104 - 127V

SERVICE

- Panels easily removed and all components accessible for service.

CONDENSING UNIT

- Voltage Range 187 - 253V
- Ambient Temp Range -20 - 122° F

Pre-Charged Tubing Kits (Sold Separately)
• 20' R404-20810
• 35' R404-35810
• 55' R404-55810

Voltage supply for the KMS Ice Maker is supplied from the SRK Remote Condenser.

