

# KMD-901MAH

## MODULAR CRESCENT CUBER

Item # \_\_\_\_\_

Project: \_\_\_\_\_

Qty: \_\_\_\_\_

\*AutoCad available on KCL

KMD-901MAH

4/08

Item # 13220

### CUBER DIMENSIONS

W x D x H




**KMD-901MAH**  
42 x 24<sup>5/8</sup> x 28

### KMD-901MAH

Air-Cooled

Shown on an optional  
Lancer 44" Dispenser



- Up to 890 lbs. of ice production per 24 hours
- Ice on beverage design
- Durable stainless steel exterior
- Individual crescent cube
- Protected by *HoshiGuard* Antimicrobial Agent 
- CycleSaver® Design 
- EverCheck® alert system 
- Stainless steel evaporator
- Removable air filters
- R-404A Refrigerant
- Complies with California Energy Commission (CEC)



### Warranty

Valid in United States, Canada, Puerto Rico, & U.S. Territories. Contact factory for warranty in other countries.

**Three Year** - Parts & Labor on entire machine.

**Five Year** - Parts & Labor on: Evaporator.

**Five Year** - Parts on: Compressor, air-cooled condenser coil.



# Hoshizaki

## KMD-901MAH MODULAR CRESCENT CUBER

**DIMENSIONS**  
W x D x H  
**KMD-901MAH**  
42 x 24<sup>5/8</sup> x 28

• Air-cooled

### AIR-COOLED

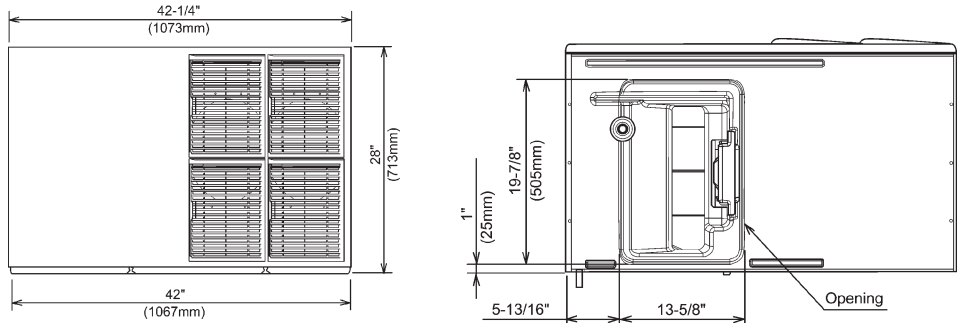
Water Temp ° F.	50°	70°	90°
Air Temp ° F.			
70°	890	864	803
80°	870	830	754
90°	864	<b>801</b>	730

### UTILITY CONSUMPTION

Model Number	Ice Production Per Cycle		KWH per 100 LBS. 90/70	Potable Water Gal. per 100 lbs. 90/70	Condenser Water Gal. per 100 lbs. 90/70
	Lbs.	Cubes			
KMD-901MAH	11.6	624	5.8	20.0	N/A

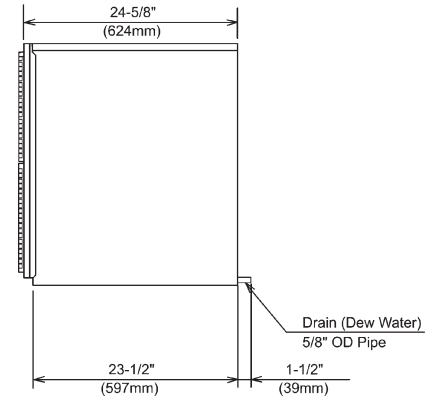
### SPECIFICATIONS

Model Number	Condenser	Amperage	Min. Circuit Ampacity	Shipping Weight
KMD-901MAH	Air-Cooled	10.8	20	278 lbs.

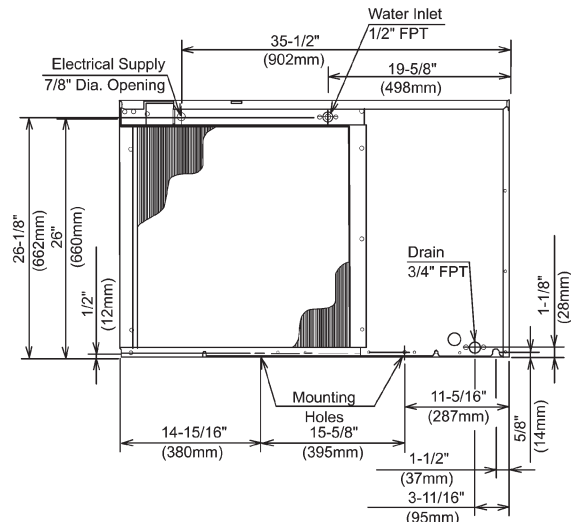


FRONT VIEW

ICE DROP ZONE



SIDE VIEW



AIR-COOLED UNIT

### ELECTRICAL & PLUMBING/KMD-901MAH

- 208-230V/60/1 (3 wire with dedicated neutral for 115V)
- 20 amp Max Fuse/HACR Breaker Size
- 1/2" OD copper or equivalent independent potable water supply
- 3/4" FPT independent drain connection
- 5/8" OD pipe

### OPERATING LIMITS

- Ambient Temp Range 45 - 100°F
- Water Temp Range 45 - 90°F
- Water Pressure 10 - 113psig
- Voltage Range 187 - 253V

### SERVICE

- Panels easily removed and all components accessible for service.
- Removable/cleanable air filters



© HOSHIZAKI AMERICA, INC.

618 Hwy. 74 S., Peachtree City, GA 30269

TEL 1-800-438-6087

FAX 1-800-345-1325

www.hoshizaki.com

Printed in U.S.A.

