

KMD-450M_H

MODULAR CRESCENT CUBER

Item # _____

Project: _____

Qty: _____

*AutoCad available on KCL

KMD-450M_H

6/11

Item # 13243

CUBER DIMENSIONS

W x D x H

KMD-450M_H

30 x 24^{1/4} x 22^{1/8}






KMD-450MAH

Air-Cooled
Shown on an optional
Lancer 30" Dispenser

KMD-450MWH

Water-Cooled

- Up to 460 lbs. of ice production per 24 hours
 - Ice on beverage design
 - Durable stainless steel exterior
 - Individual crescent cube
 - Protected by *H-GUARD Plus* Antimicrobial Agent 
 - CycleSaver® Design 
 - EverCheck® alert system 
 - Stainless steel evaporator
 - Removable air filters (Air-cooled model only)
 - Front air inlet panels available for side-by-side application (used with HS-0230 Kit)
 - R-404A Refrigerant
 - *KMD-450MAH - Not recommended for side-by-side application*
- * The KMD-450MAH is ENERGY STAR qualified.

Also available on Bins:
B-500PF/SF*

*used with separate HS Kit
HS-2129



ISO 9001-5:2008

Warranty

Valid in United States, Canada, Puerto Rico, & U.S. Territories. Contact factory for warranty in other countries.

Three Year - Parts & Labor on entire machine.

Five Year - Parts & Labor on: Evaporator.

Five Year - Parts on: Compressor, air-cooled condenser coil.



KMD-450M_H MODULAR CRESCENT CUBER

DIMENSIONS
W x D x H
KMD-450M_H
30 x 24^{1/4} x 22^{1/8}

- Air-cooled
- Water-cooled

AIR-COOLED

| Water Temp° F. | 50° | 70° | 90° | |
|----------------|-----|-----|------------|-----|
| Air Temp° F. | 70° | 457 | 436 | 398 |
| | 80° | 441 | 409 | 365 |
| | 90° | 436 | 387 | 344 |

WATER-COOLED

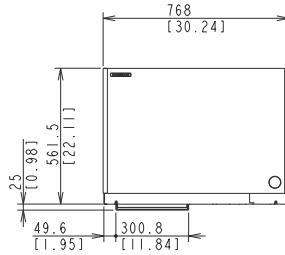
| Water Temp° F. | 50° | 70° | 90° | |
|----------------|-----|-----|------------|-----|
| Air Temp° F. | 70° | 460 | 447 | 415 |
| | 80° | 450 | 429 | 389 |
| | 90° | 447 | 415 | 377 |

UTILITY CONSUMPTION

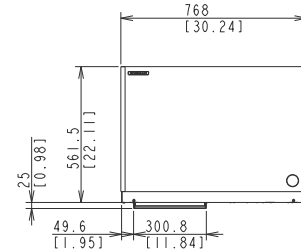
| Model Number | Ice Production Per Cycle | | KWH per 100 LBS. 90/70 | Potable Water Gal. per 100 lbs. 90/70 | Condenser Water Gal. per 100 lbs. 90/70 |
|--------------|--------------------------|-------|------------------------|---------------------------------------|---|
| | Lbs. | Cubes | | | |
| KMD-450MAH | 9.6 | 432 | 5.48 | 18.9 | N/A |
| KMD-450MWH | 9.3 | 432 | 4.55 | 17.8 | 126 |

SPECIFICATIONS

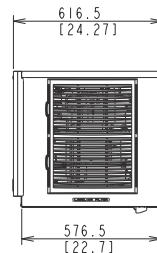
| Model Number | Condenser | Amperage | Min. Circuit Ampacity | Shipping Weight |
|--------------|--------------|----------|-----------------------|-----------------|
| KMD-450MAH | Air-Cooled | 10.0 | 15A | 170 lbs. |
| KMD-450MWH | Water-Cooled | 8.5 | 15A | 170 lbs. |



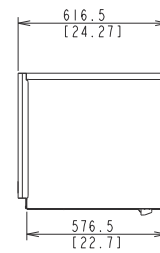
FRONT VIEW (Air-cooled)



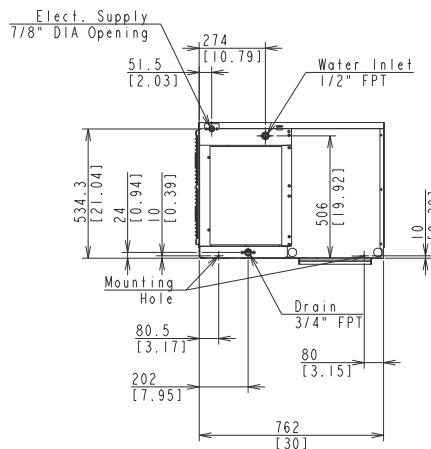
FRONT VIEW (Water-cooled)



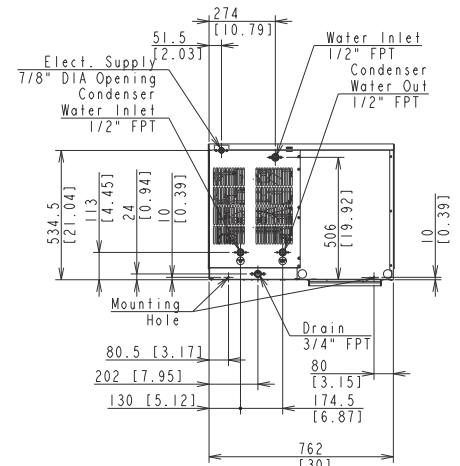
SIDE VIEW (Air-cooled)



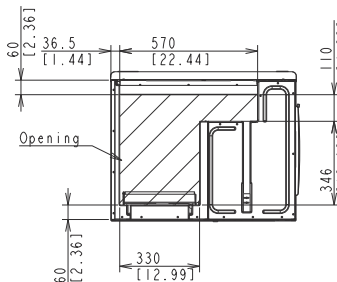
SIDE VIEW (Water-cooled)



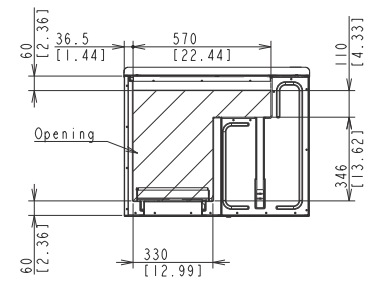
BACK VIEW (Air-cooled)



BACK VIEW (Water-cooled)



BOTTOM VIEW (Air-cooled)



BOTTOM VIEW (Water-cooled)

ELECTRICAL & PLUMBING/KMD-450M_H

- 115-120/60/1 (3 wire with neutral for 115V)
- 15 amp Max Fuse/HACR Breaker Size
- 3/8" OD copper or equivalent independent potable water supply
- 3/4" FPT independent drain connection



BSL09001-15C14901

© HOSHIZAKI AMERICA, INC.

618 Hwy. 74 S., Peachtree City, GA 30269

OPERATING LIMITS

- Ambient Temp Range 45 - 100°F
- Water Temp Range 45 - 90°F
- Water Pressure 10 - 113psig
- Voltage Range 104 - 127V

SERVICE

- Panels easily removed and all components accessible for service.
- Removable/cleanable air filters. (Air-Cooled model only)

TEL 1-800-438-6087

FAX 1-800-345-1325

www.hoshizaki.com

Printed in U.S.A.

