

# KM-1300S\_H

## STACKABLE ICE CUBER

Item # \_\_\_\_\_

Project: \_\_\_\_\_

Qty: \_\_\_\_\_

\*AutoCad available on KCL

KM-1300S\_H

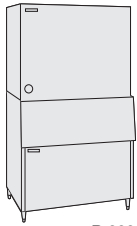
4/08

Item # 13035

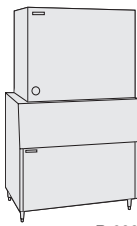
### CUBER DIMENSIONS

W x D x H

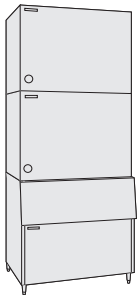
**KM-1300S\_H**  
48 x 27<sup>3/8</sup> x 27<sup>3/8</sup>



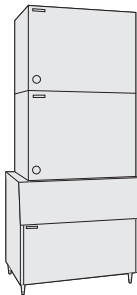
B-800



B-900



B-800



B-900

### KM-1300SAH

Air-Cooled

### KM-1300SWH

Water-Cooled

Shown on an optional  
B-900

### KM-1300SRH

Remote Air-Cooled






Also available on Large Bins:

B-1150SS

B-1300SS

B-1500SS

B-1650SS

- Up to 1296 lbs. of ice production per 24 hours
- Durable stainless steel exterior
- Protected by *HoshiGuard* Antimicrobial Agent 
- CycleSaver® design 
- EverCheck® alert system 
- Individual crescent cube
- Stainless steel evaporator
- Stackable for 2592 lbs. per 24 hour ice production in the same floor space
- Removable air filters (Air-cooled model only)
- R-404A Refrigerant
- Complies with California Energy Commission guidelines (CEC)



### Warranty

Valid in United States, Canada, Puerto Rico, & U.S. Territories. Contact factory for warranty in other countries.

**Three Year** - Parts & Labor on entire machine.

**Five Year** - Parts & Labor on: Evaporator.

**Five Year** - Parts on: Compressor, air-cooled condenser coil.



# Hoshizaki

## KM-I300S\_H STACKABLE ICE CUBER

**DIMENSIONS**  
W x D x H  
**KM-I300S\_H**  
48 x 27<sup>3/8</sup> x 27<sup>3/8</sup>

### STACKABLE ICE CUBER

- Air-cooled
- Water-cooled
- Remote Air-cooled

#### AIR - COOLED

Water Temp ° F.	50°	70°	90°
Air Temp ° F.			
70°	1283	1242	1135
80°	1252	1188	1053
90°	1242	1143	1017

#### WATER - COOLED

Water Temp ° F.	50°	70°	90°
Air Temp ° F.			
70°	1284	1282	1208
80°	1283	1280	1166
90°	1282	1278	1180

#### REMOTE AIR - COOLED

Water Temp ° F.	50°	70°	90°
Air Temp ° F.			
70°	1296	1257	1173
80°	1266	1206	1105
90°	1257	1163	1068

#### UTILITY CONSUMPTION

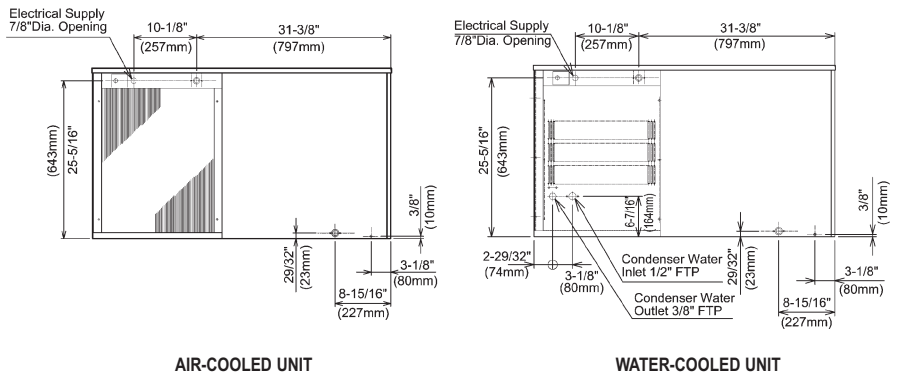
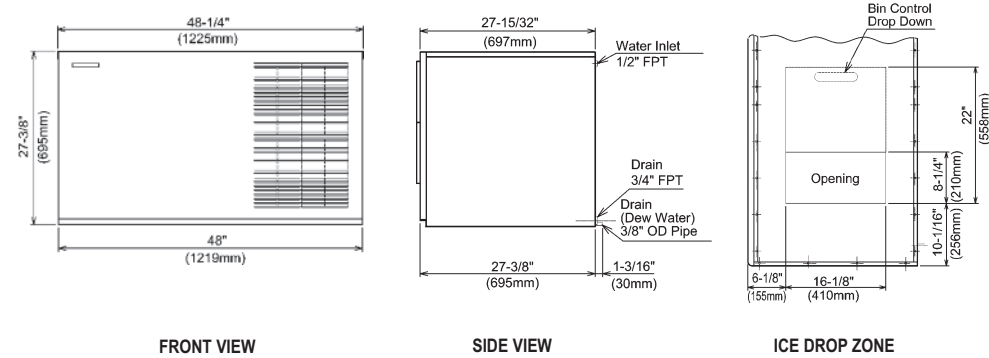
Model Number	Ice Production Per Cycle		KWH per 100 LBS.	Potable Water Gal. per 100 lbs.	Condenser Water Gal. per 100 lbs.
	Lbs.	Cubes			
KM-1300SAH	30.1	1440	4.9	28.6	N/A
KM-1300SWH	30.1	1440	4.0	22.1	72
KM-1300SRH	30.1	1440	4.8	30.5	N/A

#### SPECIFICATIONS

Model Number	Condenser	Amperage	Min. Circuit Ampacity	Shipping Weight
KM-1300SAH	Air-Cooled	12.6	20	325 lbs.
KM-1300SWH	Water-Cooled	9.7	20	325 lbs.
KM-1300SRH	Remote Air-Cooled	14.5	20	325 lbs.

#### STORAGE BINS

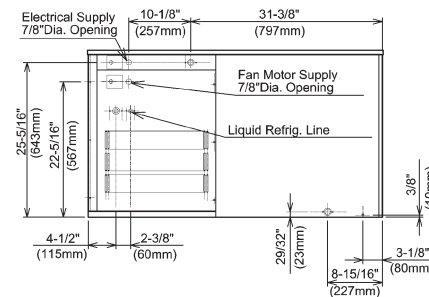
Model Number	Application Capacity	ARI-Rated Capacity
B-800	800 lbs.	600 lbs.
B-900	900 lbs.	660 lbs.
B-1150	1150 lbs.	N/A
B-1300	1275 lbs.	N/A
B-1500	1490 lbs.	N/A
B-1650	1605 lbs.	N/A



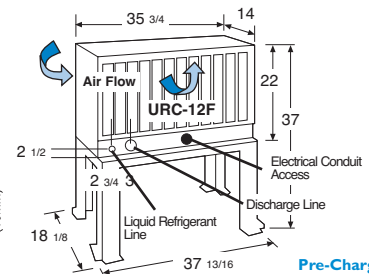
AIR-COOLED UNIT

WATER-COOLED UNIT

**URC-12F Remote Condenser** (Sold Separately)  
For Use with KM-1300SRH



REMOTE AIR-COOLED UNIT



**Pre-Charged Tubing Kits**  
(Sold Separately)  
20' R404-2068-2  
35' R404-3568-2  
55' R404-5568-2

Voltage supply for the URC Remote Condenser is supplied from the Ice Maker. No additional circuit is required.

#### ELECTRICAL & PLUMBING/KM-I300S\_H

- 208 - 230V/60/1 (3 wire with neutral for 115V)
- 20 amp Max Fuse
- 1/2" OD copper or equivalent independent potable water supply
- 3/4" FPT independent drain connection



© HOSHIZAKI AMERICA, INC.

#### OPERATING LIMITS

- Ambient Temp Range 45 - 100°F
- Water Temp Range 45 - 90°F
- Water Pressure 10 - 113psig
- Voltage Range 187 - 253V

#### CONDENSING UNIT

- Voltage Range 104 - 127V
- Ambient Temp Range -20 - 122°F

#### SERVICE

- Panels easily removed and all components accessible for service.
- Removable/cleanable air filters. (Air-cooled model only)

